



PULAR

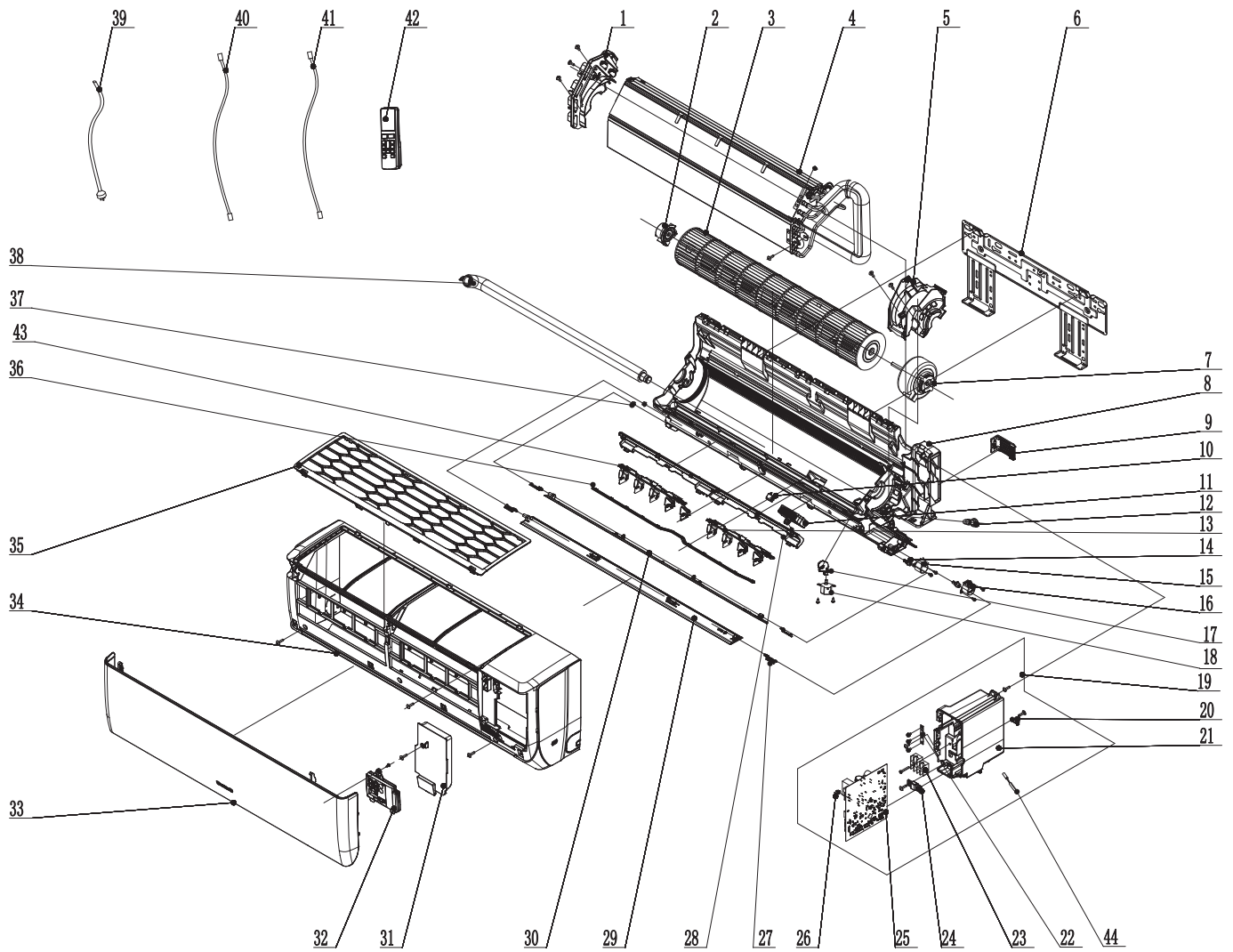
WALL SPLIT SYSTEM

SPARE PARTS LIST

August 2023

GWH07AGAXB-K6DNA1A/I

Exploded View



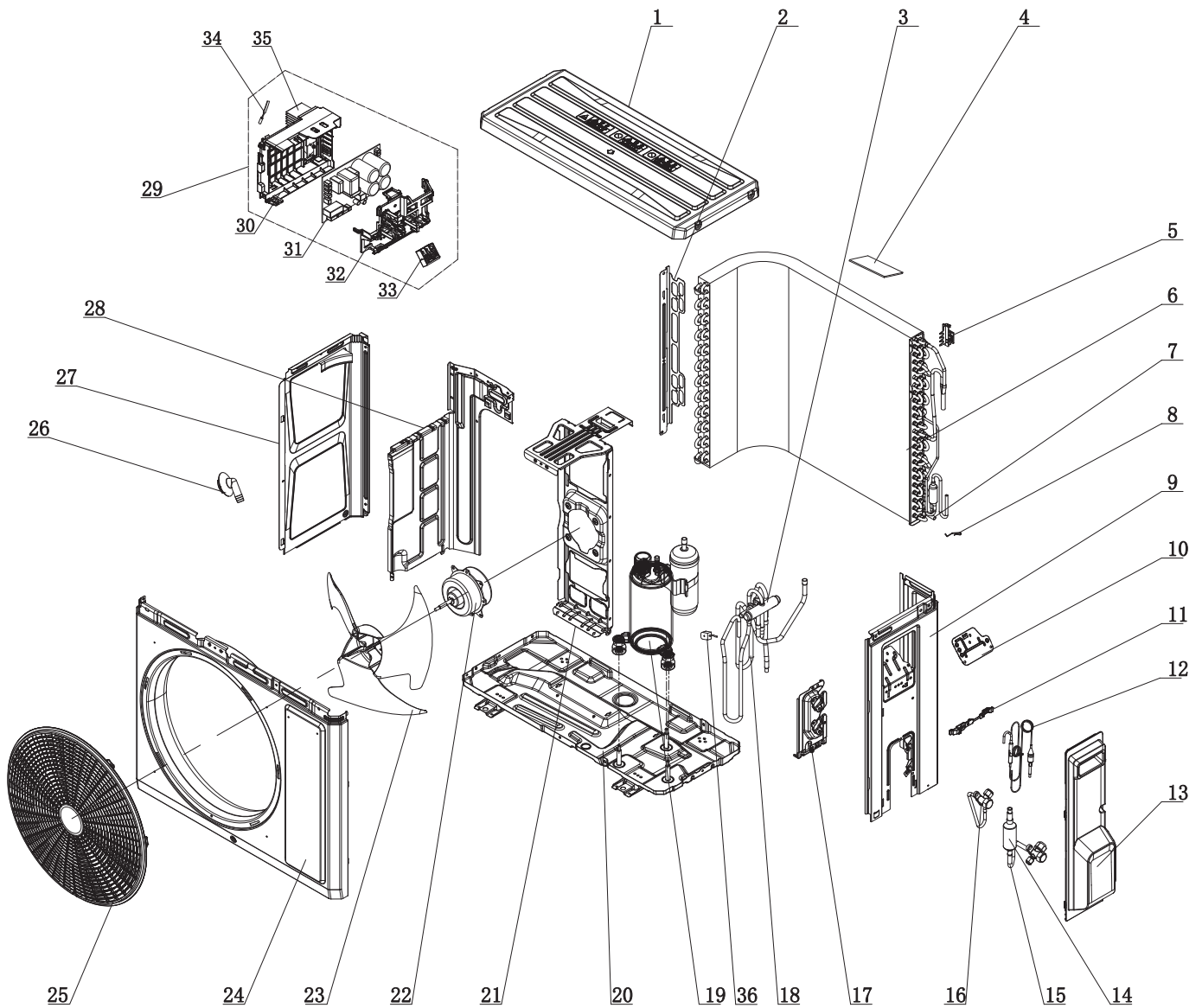
GWH07AGAXB-K6DNA1A/I

Spare Parts List

No.	Part Description	Part Code
1	Evaporator Support	200025000003
2	Axile Bush Sub-assy	10542047
3	Cross Flow Fan	10352067
4	Evaporator Assy	01100100012702P
5	Motor Press Plate	200020060008
6	Wall Mounting Frame Sub-assy	017211000005
7	Fan Motor	1501208904
8	Rear Case assy	000001060194
9	Connecting pipe clamp	200017000001
10	Screw Cover	200005060018
11	Plasmacluster Ion	43000106000202
12	Rubber Plug (Water Tray)	76712012
13	Air Louver	200007060082
14	Crank	200023060004
15	Stepping Motor	1521200606
16	SteppingMotor	1521210710
17	Air Louver (Auto)	200007060079
18	Stepping Motor	1521210704
19	Electric Box Assy	100002073823
20	Wire Clamp	N/A
21	Electric Box	200013060064
22	Earthing	42012411
23	Terminal Board	420111041
24	Cable Clamp 2	71012065
25	Main Board	300002062592
26	Jumper	4202021908
27	Plug Pin	200033060002
28	Helicoid Tongue	200006060010
29	Guide Louver (lower)	200004060084
30	Guide Louver (upper)	200004060083
31	Electric Box Cover2	200082060052
32	Display Board	300001060575
33	Front Panel	200003060157T
34	Front Case Assy	000002060247
35	Filter Sub-Assy	111001060144
36	Swing Lever	200035060033
37	Left Axile Bush	10512037
38	Drainage Hose	0523001408
39	Power Cord	N/A
40	Connecting Cable	4002052317
41	Connecting Cable	N/A
42	Remote Controller	305001060060
43	Air Louver	200007060080
44	Temperature Sensor	3900031302

GWH07AGAXB-K6DNA1A/O

Exploded View



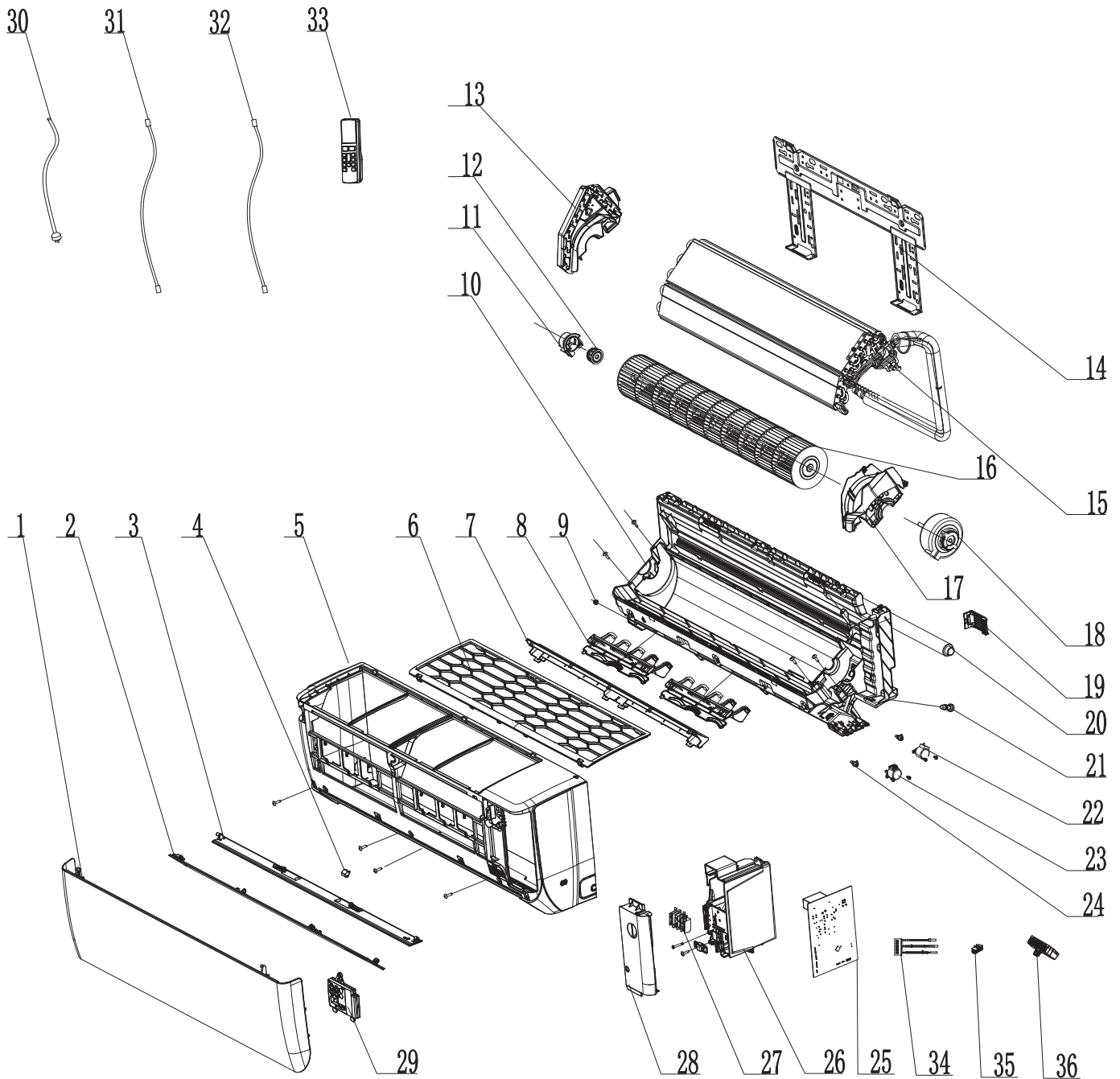
GWH07AGAXB-K6DNA1A/O

Spare Parts List

No.	Part Description	Part Code
1	Top Cover Assy	000097060345
2	Supporting Board(Condenser)	N/A
3	4-Way Valve	072007060004
4	Sponge(Condenser)	1212309101
5	Temperature Sensor Support	N/A
6	Condenser Assy	011002061547
7	Temp Sensor Sleeving	05212423
8	Sensor Insert	42020063
9	Right Side Plate	01205606038406P
10	Earthing Plate Sub-assy	017246000004
11	Wire Clamp	200015060018
12	Capillary Sub-assy	030006061452
13	Handle Assy	N/A
14	Silencer	035023000009
15	Cut off Valve Sub-Assy	030057060359
16	Cut-off valve 1/4(N)	070001060022
17	Valve Support	012044060022P
18	4-Way Valve Assy	030152060657
19	Compressor and Fittings	009001060605
20	Chassis Sub-assy	017000060636P
21	Motor Support	012048060149
22	Brushless DC Motor	150104060095
23	Axial Flow Fan	10333428
24	Cabinet	012022060012P
25	Front Grill	200057060013
26	Drainage Joint	26113009
27	Left Side Plate	012055060397P
28	Clapboard	012051060895
29	Electric Box Assy	100002073851
30	Electric Box	200013060073
31	Main Board	300027062082
32	Electric Box Cover	200082060058
33	Terminal Board	422000060075
34	Temperature Sensor	3900030811
35	Radiator	430034060108
36	Magnet Coil	4300040072

GWH09AGCXB-K6DNA1A/I

Exploded View



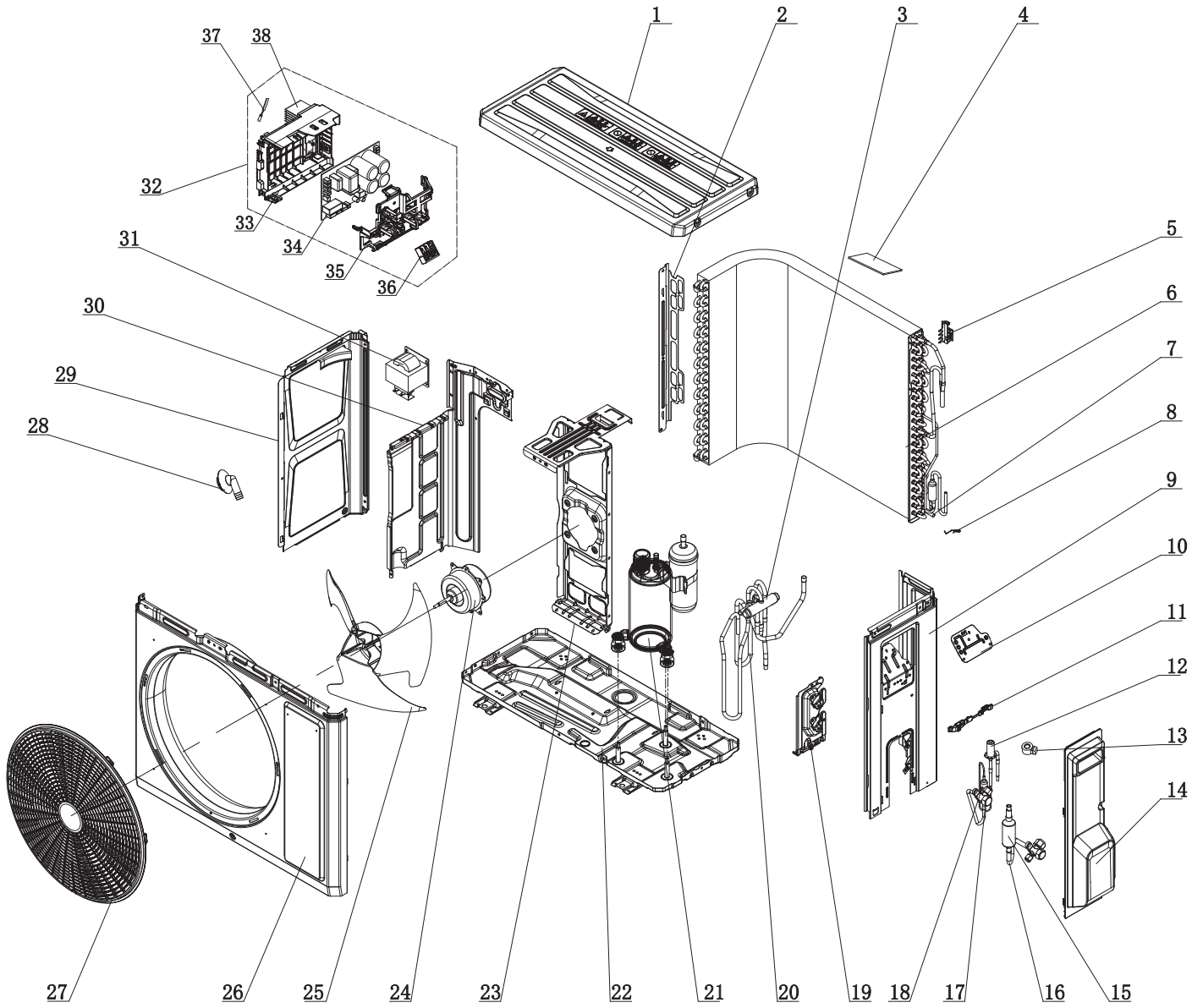
GWH09AGCXB-K6DNA1A/I

Spare Parts List

No.	Part Description	Part Code
1	Front Panel	200003060158T
2	Guide Louver (upper)	200004060088
3	Guide Louver (lower)	200004060087
4	Screw Cover	200005060003
5	Front Case Sub-assy	209007060044
6	Filter Sub-Assy	111001060145
7	Helicoid Tongue	200006060012
8	Air Louver (left)	200007060064
9	Left Axile Bush	10512037
10	Rear Case	20000106003802
11	Ring of Bearing	26152022
12	O-Gasket sub-assy of Bearing	76512051
13	Evaporator Support	200025060004
14	Wall Mounting Frame	01204300000401
15	Evaporator Assy	01100106043002P
16	Cross Flow Fan	103001060004
17	Motor Press Plate	200020060002
18	Brushless DC Motor	1501306807
19	Connecting pipe clamp	200017000001
20	Drainage Hose	05230014
21	Rubber Plug (Water Tray)	76712012
22	Stepping Motor	1521200607
23	SteppingMotor	1521210710
24	Crank	200023060004
25	Main Board	300002062492
26	Electric Box Assy	100002073827
27	Terminal Board	422000000022
28	Electric Box Cover	200082060053
29	Display Board	300001060575
30	Power Cord	N/A
31	Connecting Cable	N/A
32	Connecting Cable	4002052317
33	Remote Controller	305001060060
34	Temperature Sensor	3900031302
35	Jumper	4202021913
36	Plasmacluster Ion	43000106000202

GWH09AGCXB-K6DNA1A/O

Exploded View



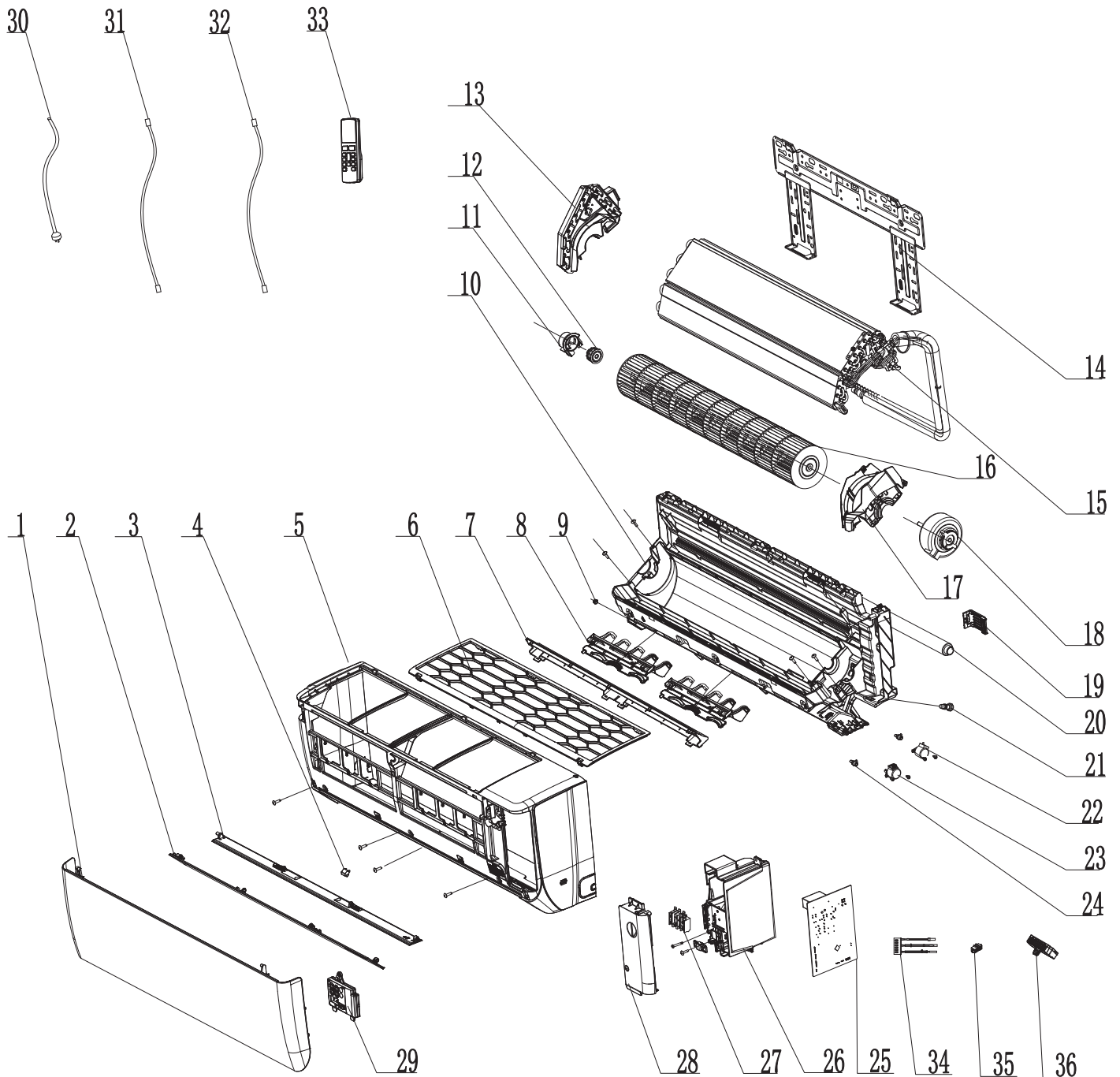
GWH09AGCXB-K6DNA1A/O

Spare Parts List

No.	Part Description	Part Code
1	Top Cover Assy	000097060345
2	Supporting Board(Condenser)	N/A
3	4-Way Valve	072007060004
4	Sponge(Condenser)	12123091
5	Temperature Sensor Support	N/A
6	Condenser Assy	011002061954
7	Temp Sensor Sleeving	05212423
8	Sensor Insert	42020063
9	Right Side Plate	01205606038406P
10	Earthing Plate Sub-assy	017246000004
11	Wire Clamp	200015060018
12	Electronic Expansion Valve	07133821
13	Electric Expand Valve Fitting	07200206002301
14	Handle Assy	N/A
15	Silencer	035023000009
16	Cut off Valve Sub-Assy	030057060359
17	Cut-off valve 1/4(N)	070001060022
18	Strainer	0721302611
19	Valve Support	012044060022P
20	4-Way Valve Assy	030152060657
21	Compressor and Fittings	009001060605
22	Chassis Sub-assy	017000060636P
23	Motor Support	01204806014901
24	Brushless DC Motor	150104060095
25	Axial Flow Fan	10333428
26	Cabinet	012022060012P
27	Front Grill	200057060013
28	Drainage Joint	26113009
29	Left Side Plate	012055060397P
30	Clapboard Sub-Assy	017021060544
31	Reactor	N/A
32	Electric Box Assy	100002073850
33	Electric Box	200013060073
34	Main Board	300027062083
35	Electric Box Cover	200082060058
36	Terminal Board	422000060075
37	Temperature Sensor	3900030811
38	Radiator	430034060108

GWH12AGCXD-K6DNA1A/I

Exploded View



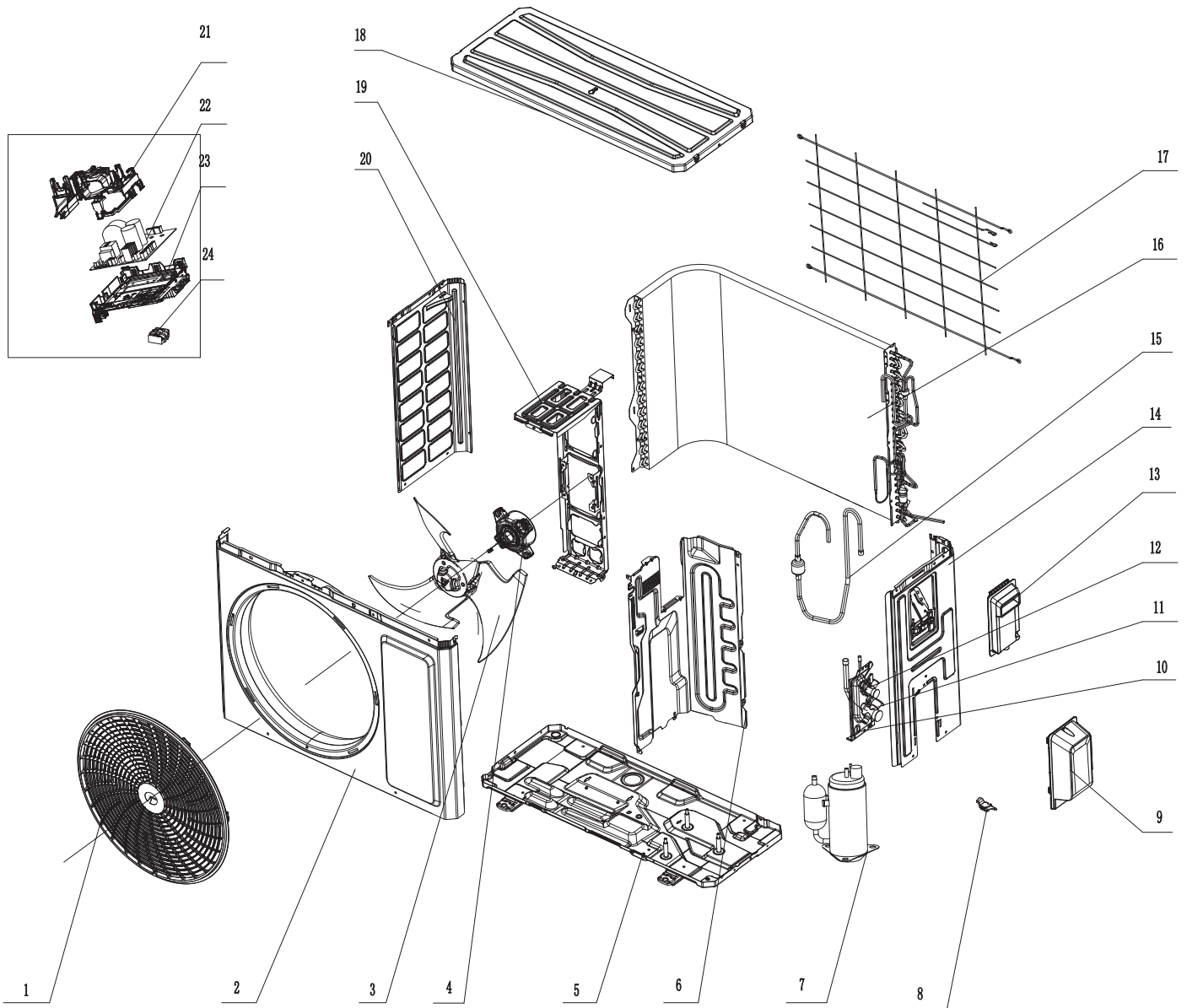
GWH12AGCXD-K6DNA1A/I

Spare Parts List

No.	Part Description	Part Code
1	Front Panel	200003060158T
2	Guide Louver (upper)	200004060088
3	Guide Louver (lower)	200004060087
4	Screw Cover	200005060003
5	Front Case Sub-assy	209007060044
6	Filter Sub-Assy	111001060145
7	Helicoid Tongue	200006060012
8	Air Louver (left)	200007060064
9	Left Axile Bush	10512037
10	Rear Case	20000106003802
11	Ring of Bearing	26152022
12	O-Gasket sub-assy of Bearing	76512051
13	Evaporator Support	200025060004
14	Wall Mounting Frame	01204300000401
15	Evaporator Assy	01100106043002P
16	Cross Flow Fan	103001060004
17	Motor Press Plate	200020060002
18	Brushless DC Motor	1501306807
19	Connecting pipe clamp	200017000001
20	Drainage Hose	05230014
21	Rubber Plug (Water Tray)	76712012
22	Stepping Motor	1521200607
23	SteppingMotor	1521210710
24	Crank	200023060004
25	Main Board	300002062492
26	Electric Box Assy	100002073922
27	Terminal Board	422000000022
28	Electric Box Cover	200082060053
29	Display Board	300001060575
30	Power Cord	N/A
31	Connecting Cable	N/A
32	Connecting Cable	4002052317
33	Remote Controller	305001060060
34	Temperature Sensor	3900031302
35	Jumper	4202021907
36	Plasmacluster Ion	43000106000202

GWH12AGCXD-K6DNA1A/O

Exploded View



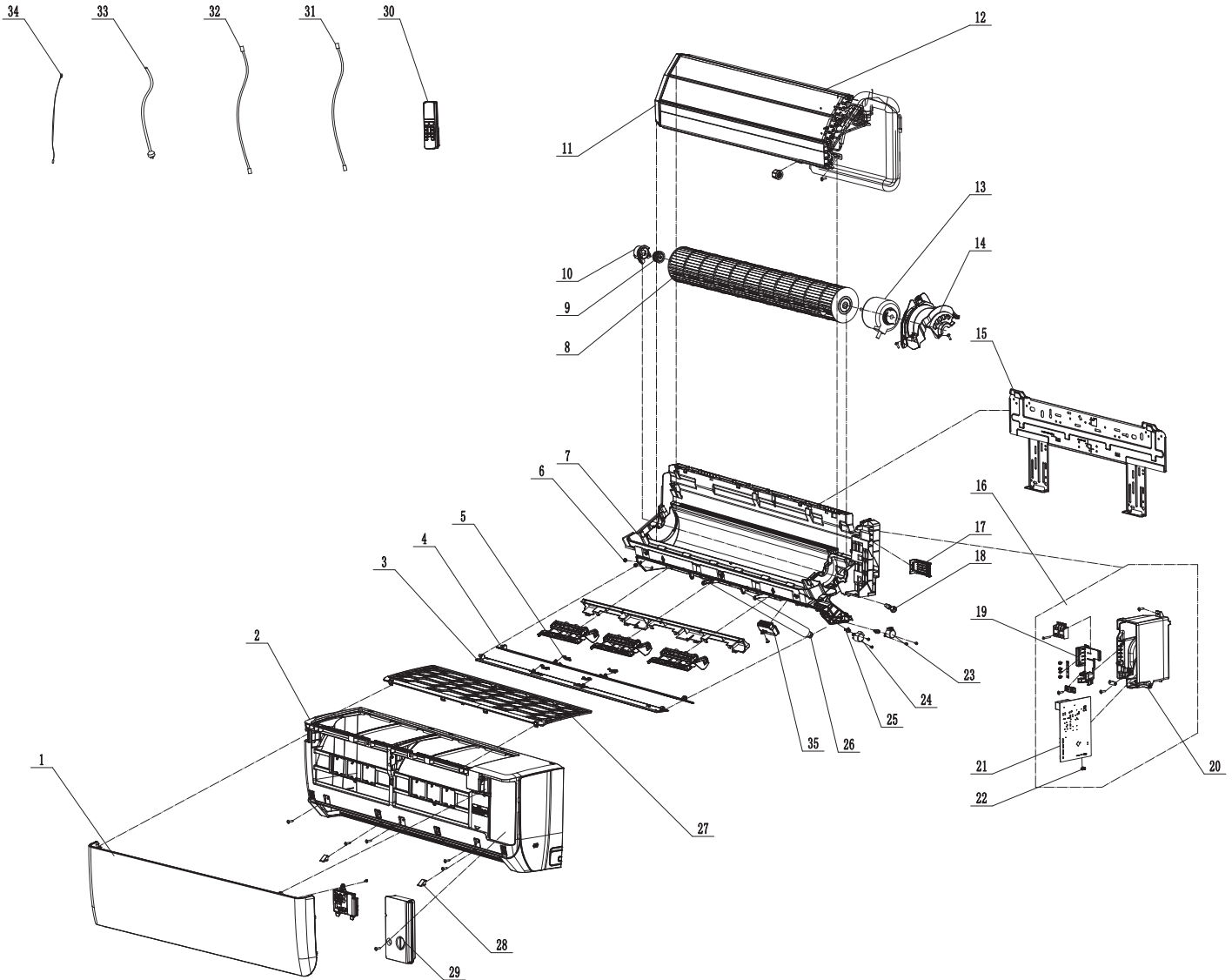
GWH12AGCXD-K6DNA1A/O

Spare Parts List

No.	Part Description	Part Code
1	Front Grill	200057060014
2	Cabinet	012022060010P
3	Axial Flow Fan	103002060015
4	Brushless DC Motor	150104060095
5	Chassis Sub-assy	017000060609P
6	Clapboard Assy	000075060126
7	Compressor and Fittings	009001060611
8	Valve Support Block	26113017
9	Valve Cover	200087060004
10	Valve Support	012044060022P
11	Cut-off valve 3/8(N)	070001060023
12	Cut-off valve 1/4(N)	070001060022
13	Handle (Right)	N/A
14	Right Side Plate Assy	000081060283
15	Suction tube	035006062266
16	Condenser Assy	011002061408
17	Rear Grill	016001060082
18	Top Cover Assy	000097060355
19	Motor Support	01204806014001
20	Left Side Plate	012055060395P
21	Controller Cover	200066060035
22	Main Board	300027062106
23	Electric Box Assy	100002073932
24	Terminal Board	422000060075

GWH18AGDXE-K6DNA1A/I

Exploded View



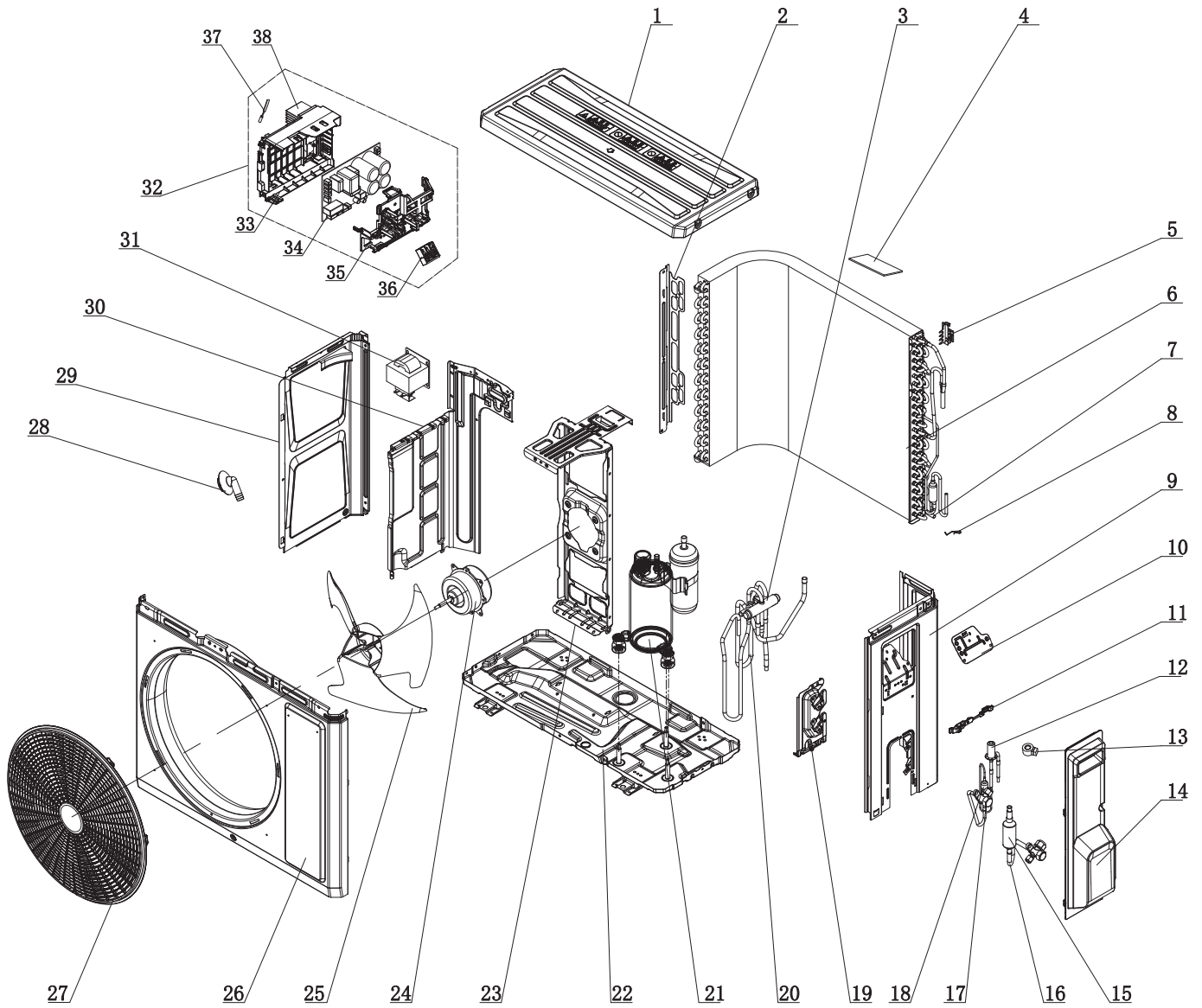
GWH18AGDXE-K6DNA1A/I

Spare Parts List

No.	Part Description	Part Code
1	Front Panel Assy	000003060384
2	Front Case Assy	000002060180
3	Guide Louver Sub-assy 1	000136060056
4	Guide Louver Sub-assy 2	000136060057
5	Plug Pin	200033060002
6	Left Axile Bush	10512037
7	Rear Case	200001060033
8	Cross Flow Fan	103001060017
9	Ring of Bearing	26152022
10	O-Gasket sub-assy of Bearing	76512051
11	Evaporator Support	200025060012
12	Evaporator Assy	011001061474
13	Brushless DC Motor	150104060088
14	Motor Press Plate	200020060007
15	Wall Mounting Frame Sub-assy	012043060008
16	Electric Box Assy	100002073970
17	Connecting pipe clamp	200017060004
18	Rubber Plug (Water Tray)	76712012
19	Supporter	200114060044
20	Electric Box	200013060061
21	Main Board	300002062532
22	Jumper	4202021918
23	SteppingMotor	1521210710
24	Stepping Motor	1521210704
25	Crank	200023060004
26	Drainage Hose	05230014
27	Filter Sub-Assy	111001060142
28	Screw Cover	200005060017
29	Electric Box Cover	200082060050
30	Remote Controller	305001060060
31	Connecting Cable	N/A
32	Connecting Cable	4002052317
33	Power Cord	N/A
34	Temperature Sensor	3900031302
35	Plasmacluster Ion	430001060002

GWH18AGDXE-K6DNA1A/O

Exploded View



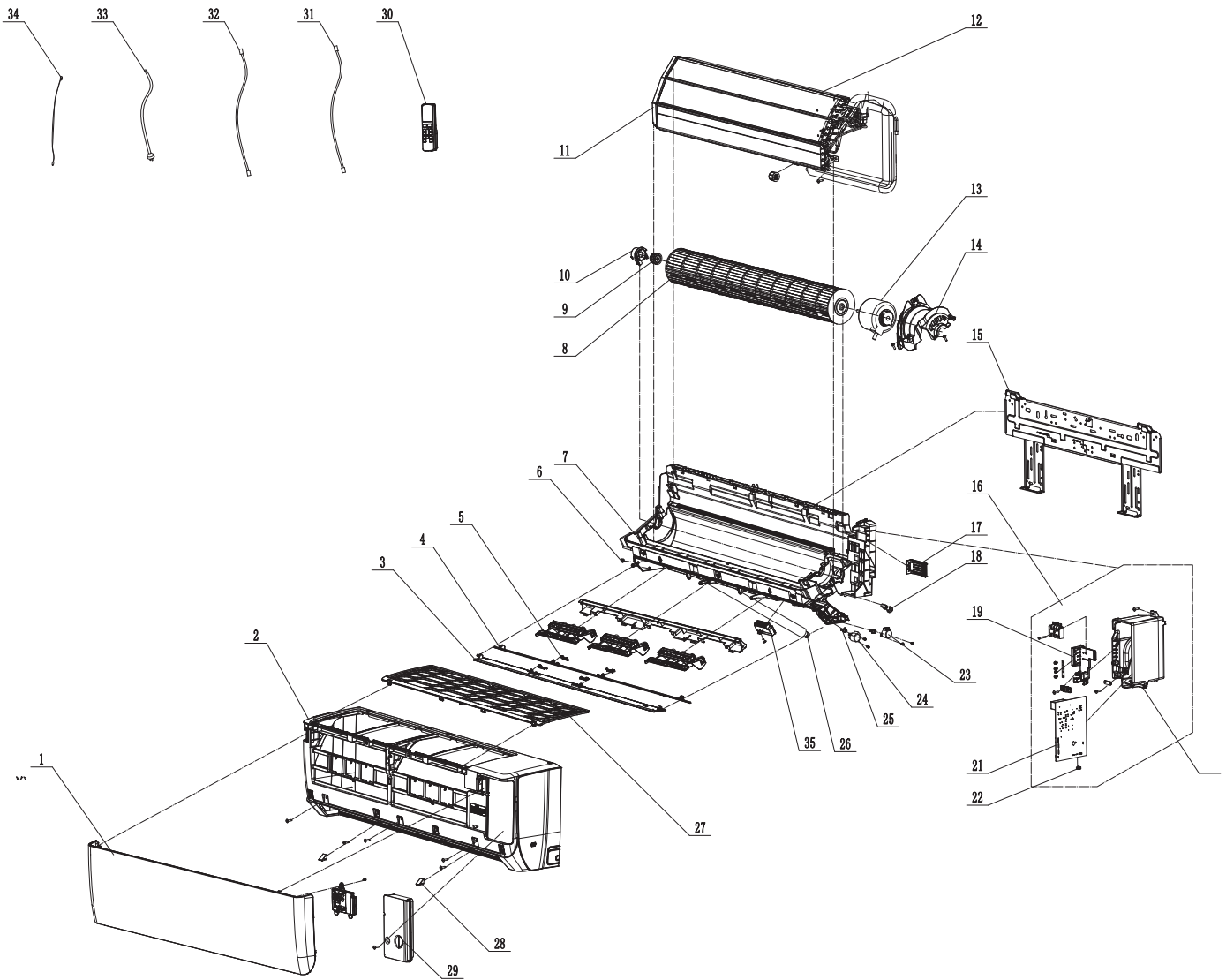
GWH18AGDXE-K6DNA1A/O

Spare Parts List

No.	Part Description	Part Code
1	Top Cover Assy	000097060315
2	Supporting Board(Condenser)	N/A
3	4-Way Valve	430004032
4	Compressor and Fittings	1212309103
5	Temperature Sensor Support	N/A
6	Condenser Assy	011002061994
7	Temp Sensor Sleevling	05212423
8	Sensor Insert	42020063
9	Right Side Plate	01205606036804P
10	Earthing Plate Sub-assy	017246000004
11	Wire Clamp	200015060019
12	Electronic Expansion Valve	072009000017
13	Electric Expand Valve Fitting	07200206002213
14	Handle Assy	N/A
15	Silencer	035023060007
16	Cut-off valve 1/2(N)	070001060024
17	Cut-off valve 1/4(N)	070001060022
18	Strainer	0721302608
19	Valve Support	012044060022P
20	4-Way Valve Assy	030152060826
21	Compressor and Fittings	009001060783
22	Chassis Sub-assy	017000060596P
23	Motor Support	012048060148
24	Brushless DC Motor	150104060085
25	Axial Flow Fan	10333014
26	Cabinet	012022060011P
27	Front Grill	200057060018
28	Drainage Joint	26113009
29	Left Side Plate	012055060392P
30	Clapboard Assy	000075060125
31	Reactor	N/A
32	Electric Box Assy	100002073993
33	Electric Controller Box	20006506002401
34	Main Board	300027062272
35	Controller Cover	20006606003101
36	Terminal Board	422000060075
37	Temperature Sensor	3900030913
38	Radiator	430034060118

GWH21AGEXF-K6DNA1A/I

Exploded View



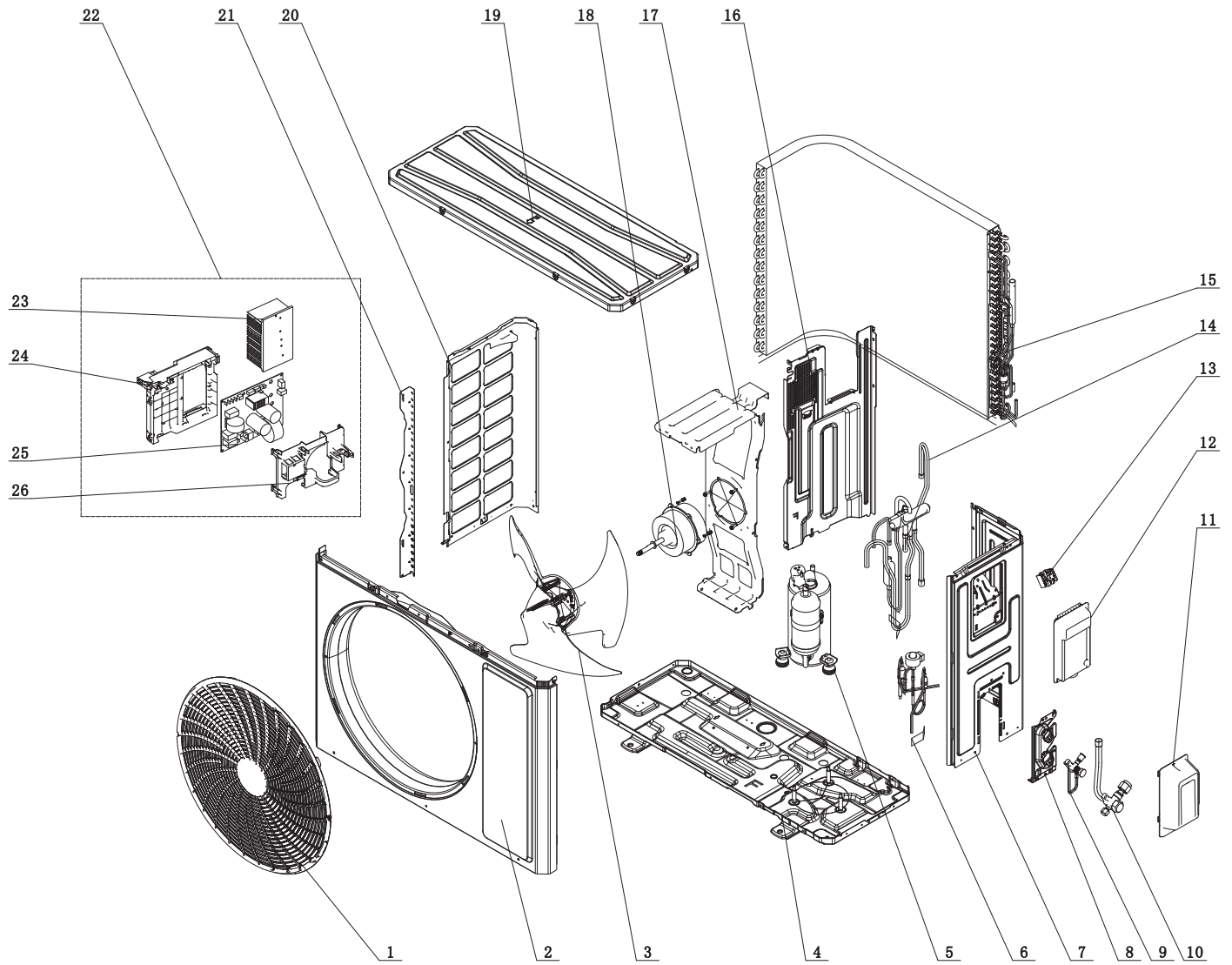
GWH21AGEXF-K6DNA1A/I

Spare Parts List

No.	Part Description	Part Code
1	Front Panel Assy	000003060743
2	Front Case Assy	000002060191
3	Air Deflector Assy 1	000136060063
4	Air Deflector Assy 2	000136060062
5	Plug Pin	200033060002
6	Left Axile Bush	10512037
7	Rear Case Sub-Assy	000377060038
8	Cross Flow Fan	103001060019
9	Ring of Bearing	26152025
10	O-Gasket sub-assy of Bearing	76512051
11	Evaporator Support	200025060014
12	Evaporator Assy	01100106178202
13	Fan Motor	15012136
14	Motor Press Plate	200020060009
15	Wall Mounting Frame	012043060021
16	Electric Box Assy	100002074339
17	Connecting pipe clamp	200017060004
18	Rubber Plug (Water Tray)	76712012
19	Supporter	200114060044
20	Electric Box	200013060061
21	Main Board	300002062532
22	Jumper	4202021922
23	Stepping Motor	1521210712
24	Stepping Motor	1521210704
25	Crank	200023060004
26	Drainage Hose	0523001405
27	Filter Sub-Assy	111001060163
28	Screw Cover	200005060021
29	Electric Box Cover	200082060050
30	Remote Controller	305001060060
31	Connecting Cable	N/A
32	Connecting Cable	4002052317
33	Power Cord	N/A
34	Temperature Sensor	3900031302
35	Plasmacluster Ion	430001060002

GWH21AGEXF-K6DNA1A/O

Exploded View



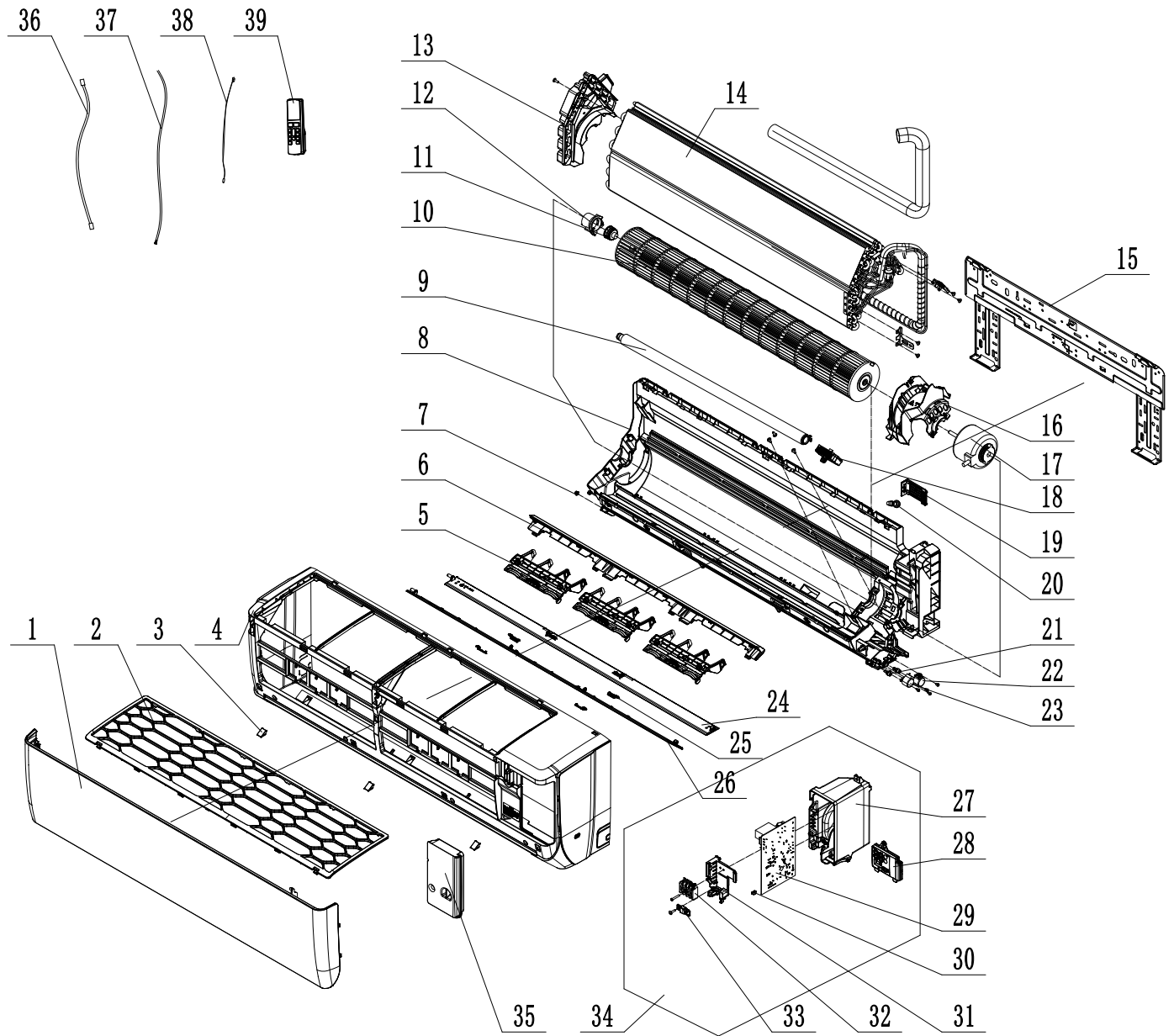
GWH21AGEXF-K6DNA1A/O

Spare Parts List

No.	Part Description	Part Code
1	Front Grill	200057060016
2	Front Panel	012073061611P
3	Axial Flow Fan	10335262
4	Chassis Sub-assy	017000060761P
5	Compressor and Fittings	009001060621
6	Electronic Expansion Valve	072009060006
7	Right Side Plate	01205606037701P
8	Valve Support	012044060022P
9	Cut-off valve 1/4(N)	070001060022
10	Cut-off valve 1/2(N)	070001060024
11	Valve Cover	200087060005
12	Handle	200149060018
13	Terminal Board	422000060075
14	4-Way Valve Assy	030152060822
15	Condenser Assy	011002061983
16	Clapboard Assy	000075060128
17	Motor Support	012048060145
18	Brushless DC Motor	150104060103
19	Coping	012049060117P
20	Left Side Plate	012055060393P
21	Condenser Left Border Plate	012009060219
22	Electric Box Assy	100002074340
23	Radiator	43003406011601
24	Electric Box	20001306008501
25	Main Board	300027062273
26	Electric Box Cover	20008206006801

GWH24AGEXF-K6DNA1A/I

Exploded View



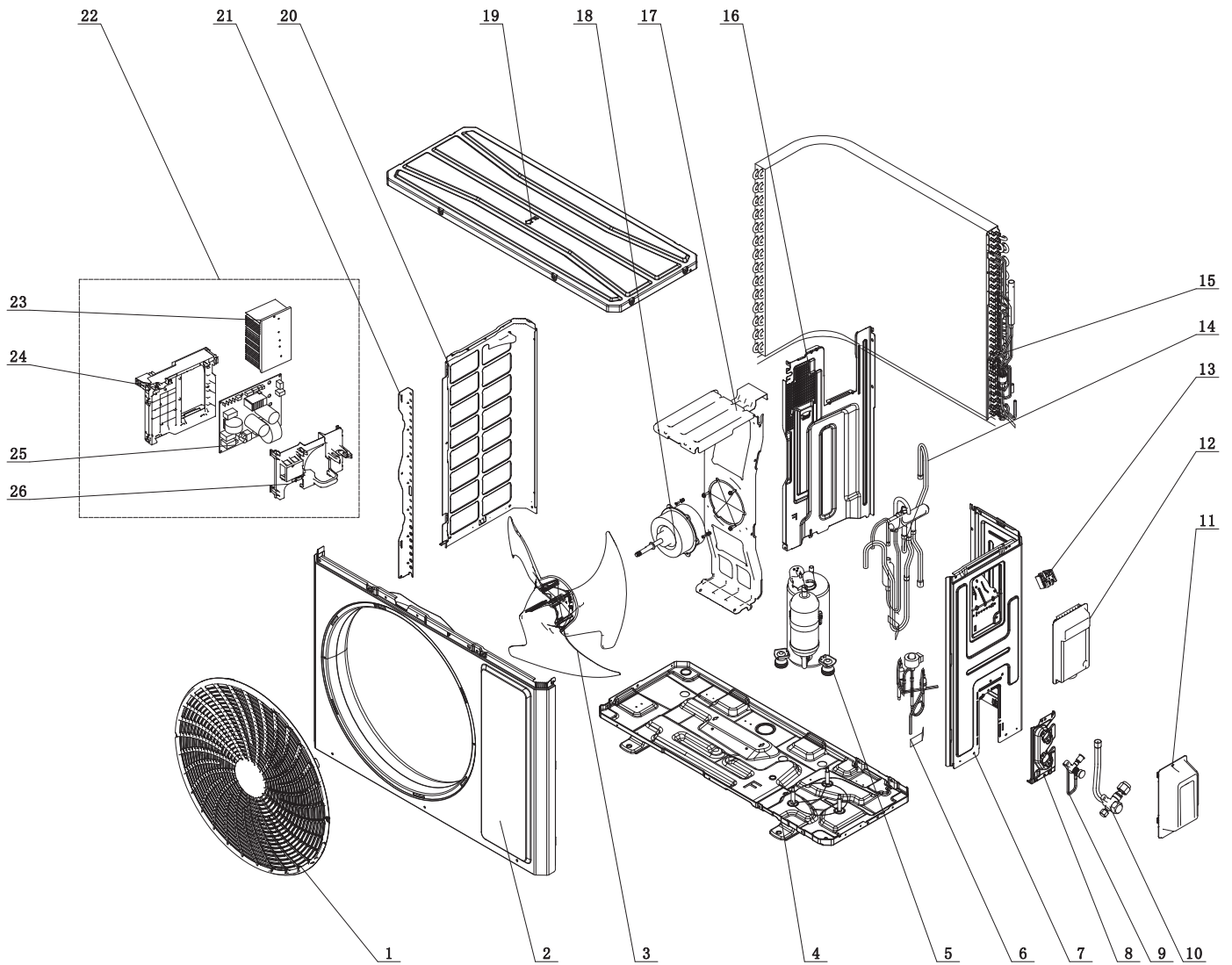
GWH24AGEXF-K6DNA1A/I

Spare Parts List

No.	Part Description	Part Code
1	Front Panel	200003060167T
2	Filter Sub-Assy	111001060163
3	Screw Cover	200005060021
4	Front Case	200002060044
5	Air Louver	200007060059
6	Helicoid Tongue	200006060013
7	Left Axile Bush	10512037
8	Rear Case	200001060041
9	Drainage Hose	0523001405
10	Cross Flow Fan	103001060019
11	O-Gasket sub-assy of Bearing	76512051
12	Ring of Bearing	26152025
13	Evaporator Support	200025060014
14	Evaporator Assy	01100106100604P
15	Wall Mounting Frame	012043060012
16	Motor Press Plate	200020060009
17	Brushless DC Motor	150104060116
18	Plasmacluster Ion	430001060002
19	Connecting pipe clamp	200017060004
20	Rubber Plug (Water Tray)	76712012
21	Crank	200023060004
22	Stepping Motor	1521200607
23	Stepping Motor	1521210712
24	Air Deflector Assembly 2	000136060062
25	Plug Pin	200033060002
26	Air Deflector Assembly 1	000136060063
27	Electric Box	200013060061
28	Display Board	300001060575
29	Main Board	300002062532
30	Jumper	4202021922
31	Supporter	200114060044
32	Terminal Board	422000000022
33	Cable Clamp 2	71012065
34	Electric Box Assy	100002074339
35	Electric Box Cover	200082060050
36	Connecting Cable	4002052317
37	Connecting Cable	N/A
38	Temperature Sensor	3900031302
39	Remote Controller	305001060060

GWH24AGEXF-K6DNA1A/O

Exploded View



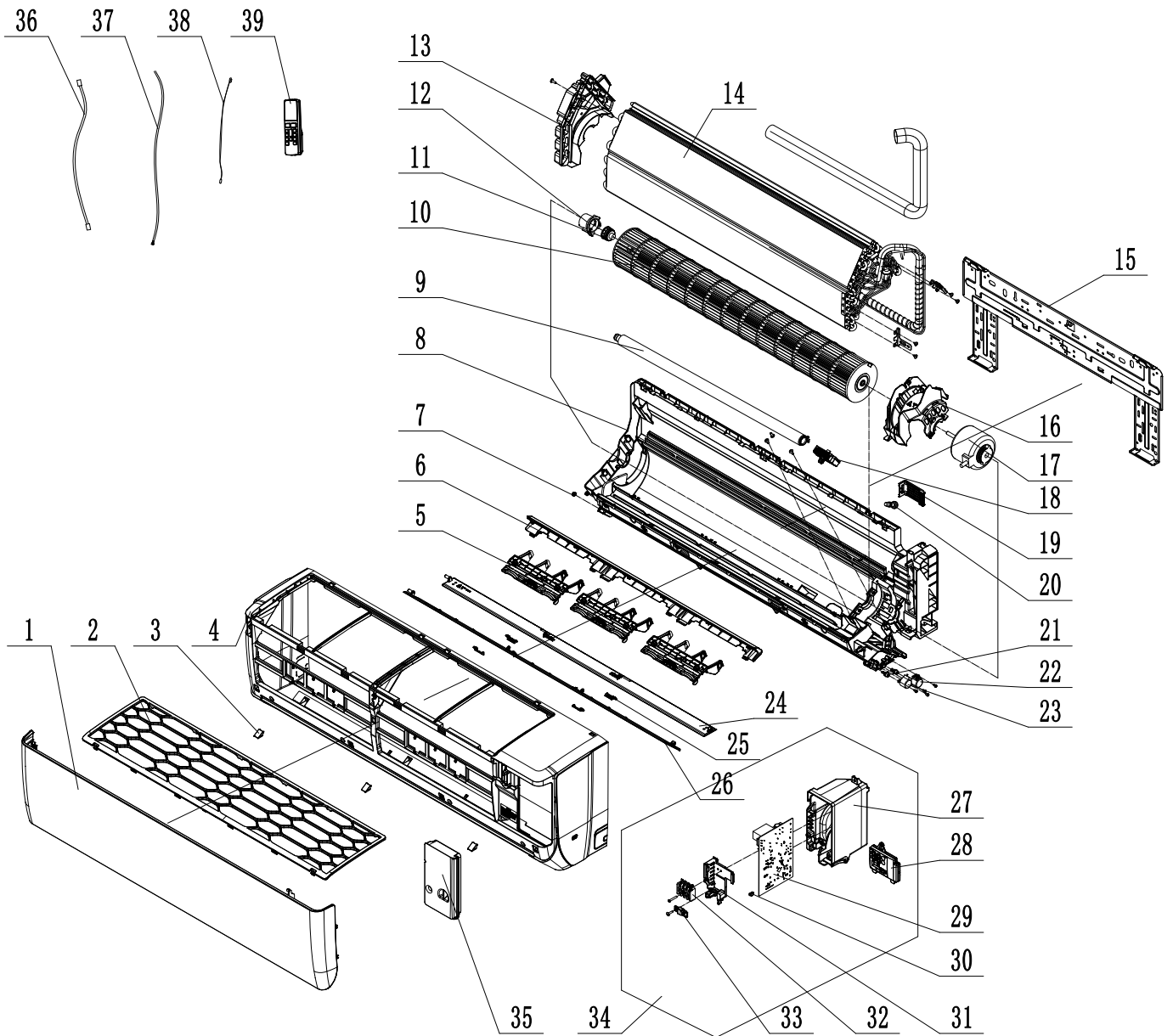
GWH24AGEXF-K6DNA1A/O

Spare Parts List

No.	Part Description	Part Code
1	Front Grill	200057060016
2	Front Panel	012073061611P
3	Axial Flow Fan	10335262
4	Chassis Sub-assy	017000060761P
5	Compressor and Fittings	009001060621
6	Electronic Expansion Valve	43005016
7	Right Side Plate Assy	00008106021512
8	Valve Support	012044060032P
9	Cut-off valve 1/4(N)	070001060022
10	Cut-off valve 5/8(N)	070001060032
11	Valve Cover	200087060005
12	Handle	012210060007P
13	Terminal Board	422000060075
14	4-Way Valve Assy	030152060853
15	Condenser Assy	011002062085
16	Clapboard Assy	000075060128
17	Motor Support	012048060145
18	Brushless DC Motor	150104060103
19	Coping	012049060117P
20	Left Side Plate	012055060393P
21	Condenser Left Border Plate	012009060263
22	Electric Box Assy	100002074671
23	Radiator	43003406011601
24	Electric Box	20001306008501
25	Main Board	300027062469
26	Electric Box Cover	20008206006801

GWH28AGEXH-K6DNA1A/I

Exploded View



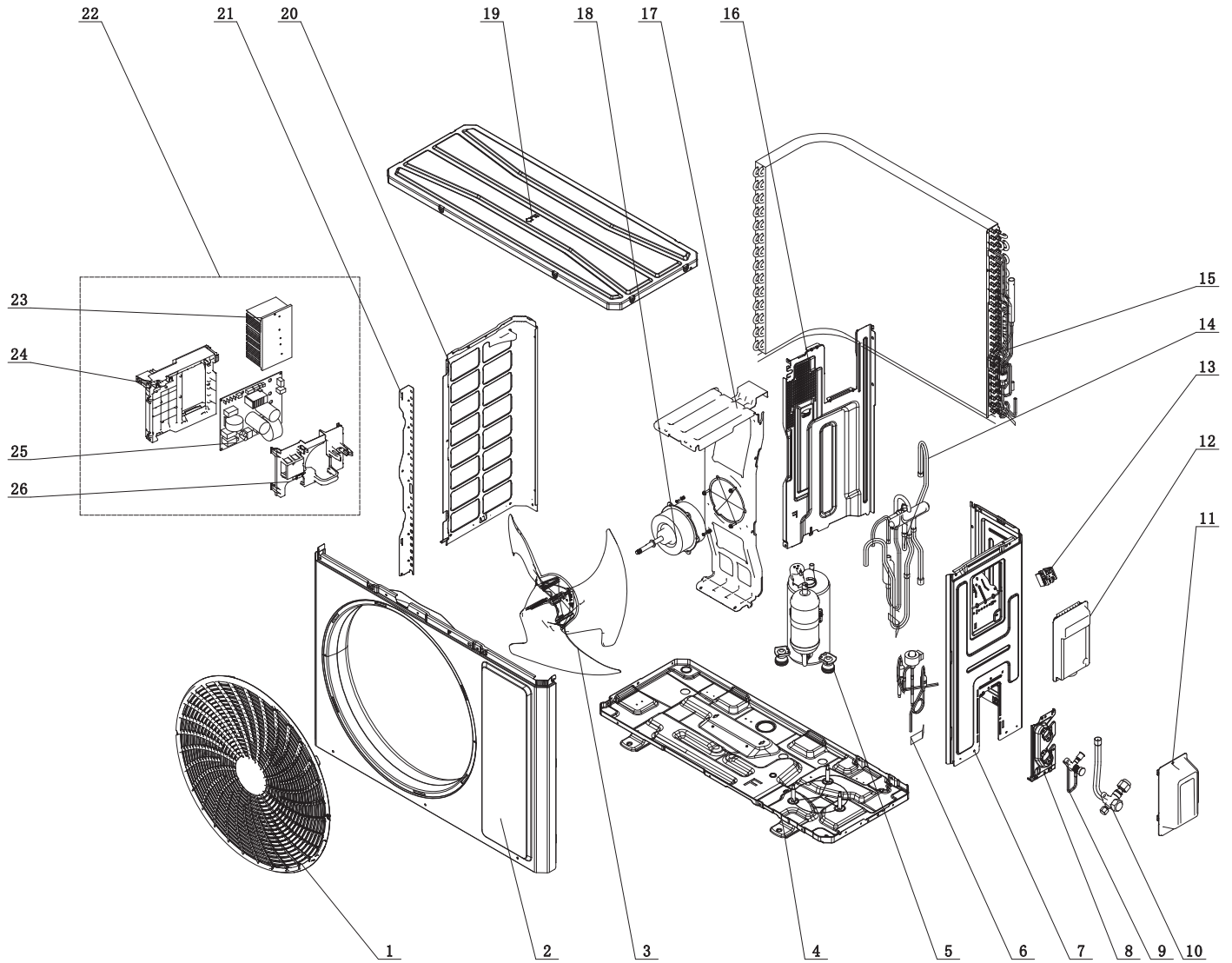
GWH28AGEXH-K6DNA1A/I

Spare Parts List

No.	Part Description	Part Code
1	Front Panel	200003060167T
2	Filter Sub-Assy	111001060163
3	Screw Cover	200005060021
4	Front Case	200002060044
5	Air Louver	200007060059
6	Helicoid Tongue	200006060013
7	Left Axile Bush	10512037
8	Rear Case	200001060041
9	Drainage Hose	0523001405
10	Cross Flow Fan	103001060019
11	O-Gasket sub-assy of Bearing	76512051
12	Ring of Bearing	26152025
13	Evaporator Support	200025060014
14	Evaporator Assy	01100106100603P
15	Wall Mounting Frame	012043060012
16	Motor Press Plate	200020060009
17	Fan Motor	15012136
18	Plasmacluster Ion	430001060002
19	Connecting pipe clamp	200017060004
20	Rubber Plug (Water Tray)	76712012
21	Crank	200023060004
22	Stepping Motor	1521200607
23	Stepping Motor	1521210712
24	Air Deflector Assembly 2	000136060062
25	Plug Pin	200033060002
26	Air Deflector Assembly 1	000136060063
27	Electric Box	200013060061
28	Display Board	300001060575
29	Main Board	300002062532
30	Jumper	4202021922
31	Supporter	200114060044
32	Terminal Board	422000000022
33	Cable Clamp 2	71012065
34	Electric Box Assy	100002074339
35	Electric Box Cover	200082060050
36	Connecting Cable	4002052317
37	Connecting Cable	N/A
38	Temperature Sensor	3900031302
39	Remote Controller	305001060060

GWH28AGEXH-K6DNA1A/O

Exploded View



GWH28AGEXH-K6DNA1A/O

Spare Parts List

No.	Part Description	Part Code
1	Front Grill	200057060017
2	Cabinet	012022060019P
3	Axial Flow Fan	103002060027
4	Chassis Sub-assy	01700006071114P
5	Compressor and Fittings	009001060755
6	Electronic Expansion Valve	43005016
7	Right Side Plate Assy	00008106022707
8	Valve Support	012044060031P
9	Cut-off valve 1/4(N)	070001060022
10	Cut-off valve 5/8(N)	070001060032
11	Valve Cover	200087060008
12	Handle	012210060006P
13	Terminal Board	422000060075
14	4-Way Valve Assy	030152060819
15	Condenser Assy	011002061909
16	Clapboard Assy	00007506017301
17	Motor Support	01204806019401
18	Brushless DC Motor	15010400000102
19	Top Cover Sub-Assy	000051060149
20	Left Side Plate	012055060389P
21	Condenser Left Border Plate	012009060280
22	Electric Box Assy	100002074417
23	Radiator	430034060150
24	Electric Box	20001306010201
25	Main Board	300027062307
26	Electric Box Cover	20008206007701

It is the policy of Gree Australia to introduce continuous product improvements.
Accordingly, specifications are subject to change without notice.
Please consult with your dealer to confirm the specifications of the model selected.

1800 473 346
greeac.com.au

